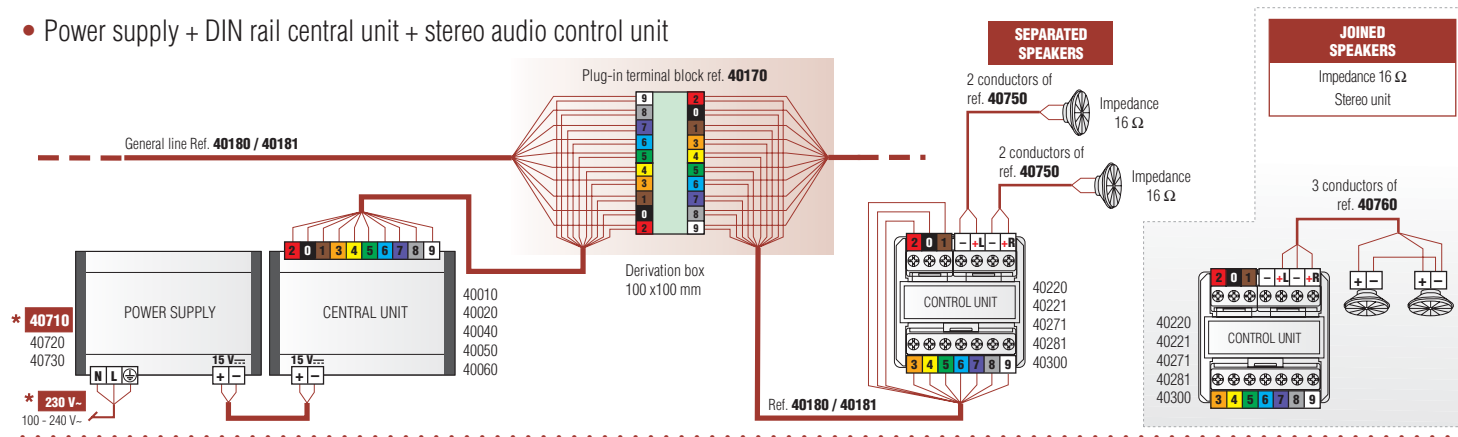
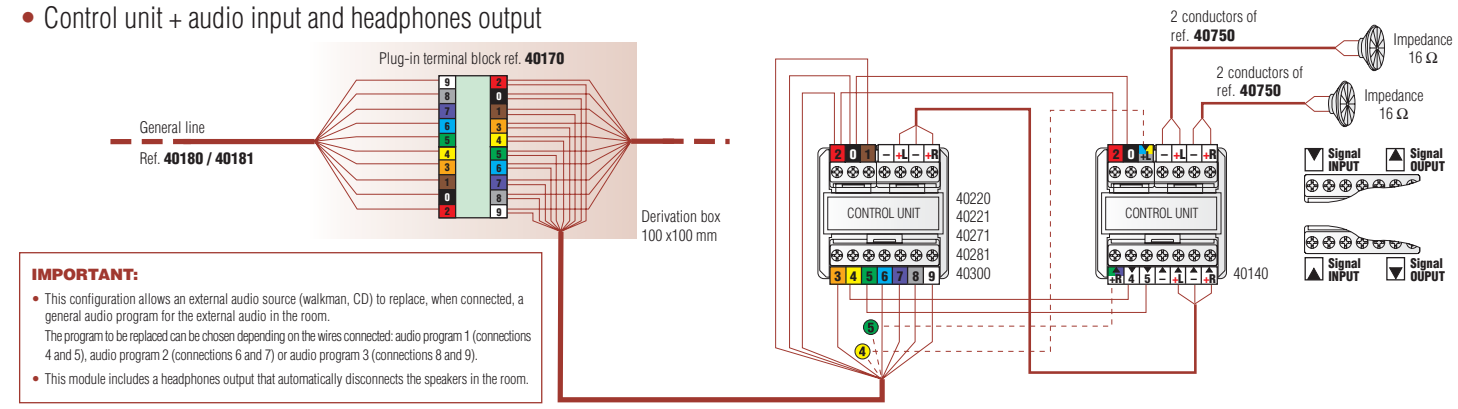


• Power supply + DIN rail central unit + stereo audio control unit



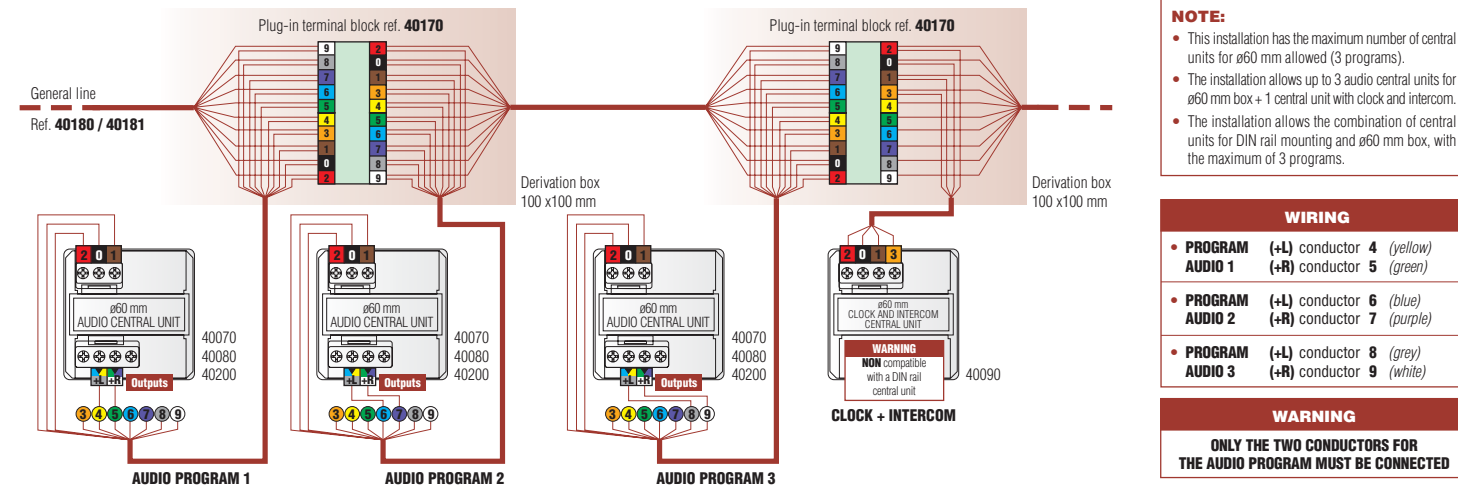
• Control unit + audio input and headphones output



IMPORTANT:

- This configuration allows an external audio source (walkman, CD) to replace, when connected, a general audio program for the external audio in the room.
- The program to be replaced can be chosen depending on the wires connected: audio program 1 (connections 4 and 5), audio program 2 (connections 6 and 7) or audio program 3 (connections 8 and 9).
- This module includes a headphones output that automatically disconnects the speakers in the room.

• ø60 mm central unit installation with 3 audio programs + clock + intercom



NOTE:

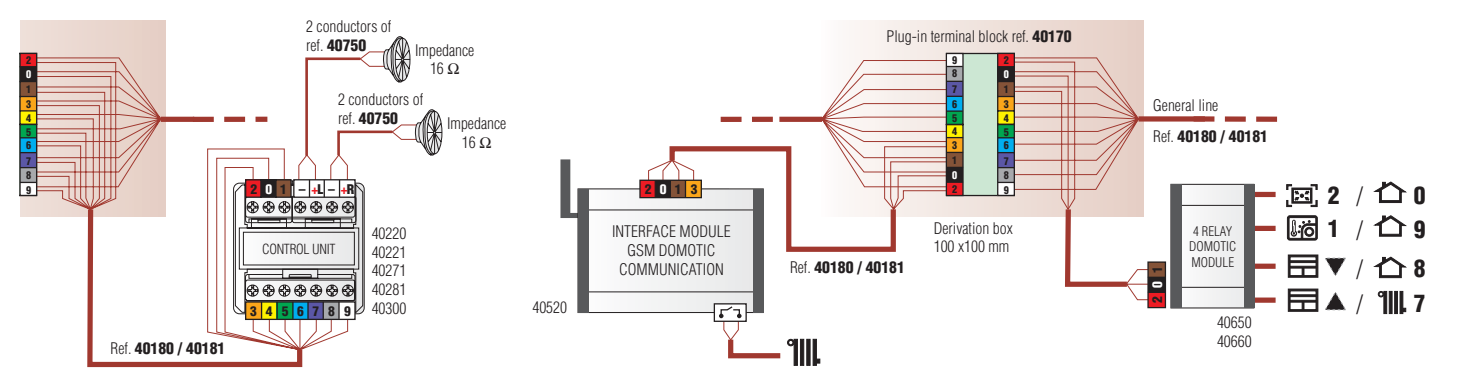
- This installation has the maximum number of central units for ø60 mm allowed (3 programs).
- The installation allows up to 3 audio central units for ø60 mm box + 1 central unit with clock and intercom.
- The installation allows the combination of central units for DIN rail mounting and ø60 mm box, with the maximum of 3 programs.

| WIRING | |
|-------------------|---|
| • PROGRAM AUDIO 1 | (+L) conductor 4 (yellow) (+R) conductor 5 (green) |
| • PROGRAM AUDIO 2 | (+L) conductor 6 (blue) (+R) conductor 7 (purple) |
| • PROGRAM AUDIO 3 | (+L) conductor 8 (grey) (+R) conductor 9 (white) |

WARNING

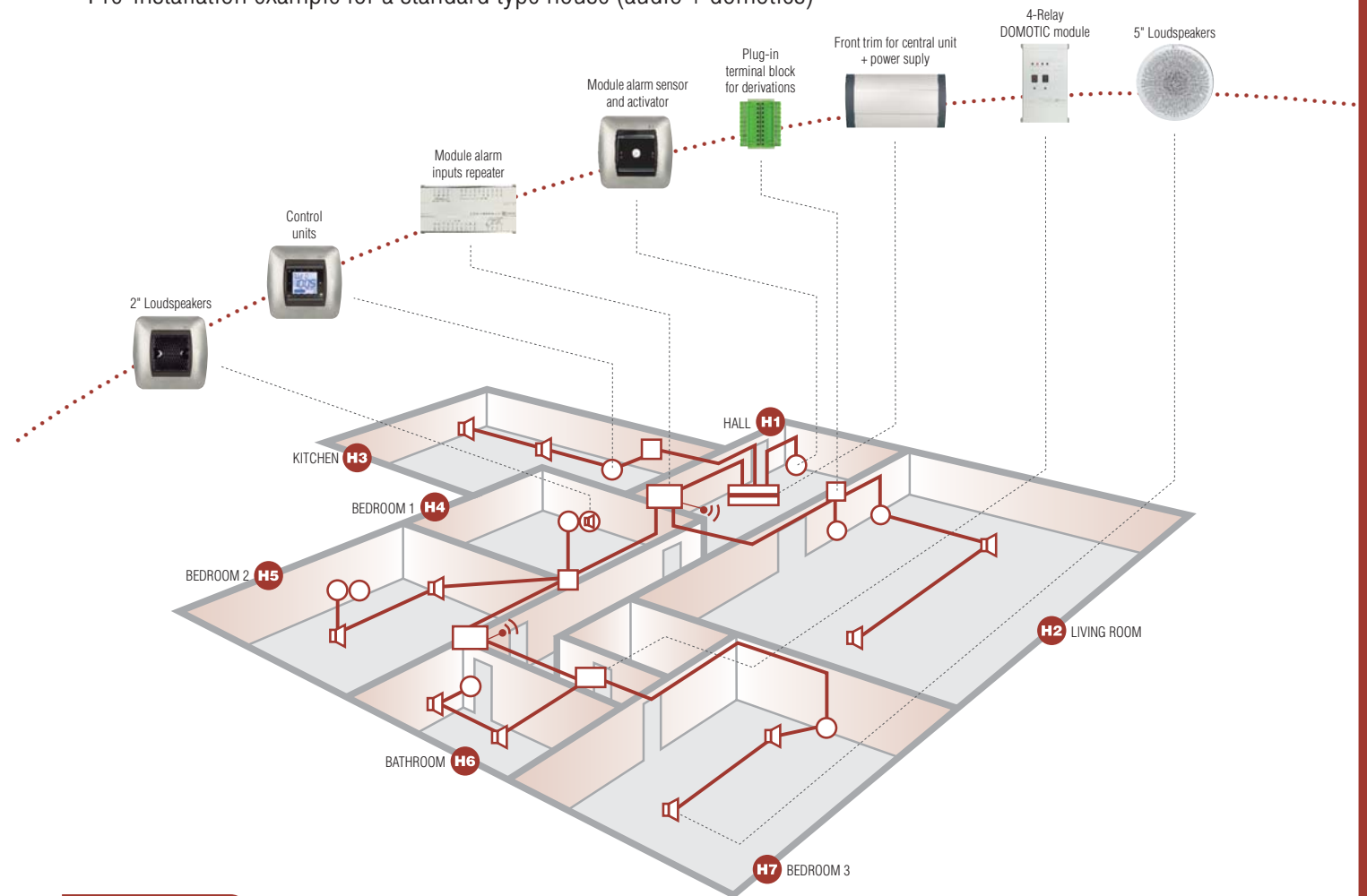
ONLY THE TWO CONDUCTORS FOR THE AUDIO PROGRAM MUST BE CONNECTED

• Audio installation with domotics services

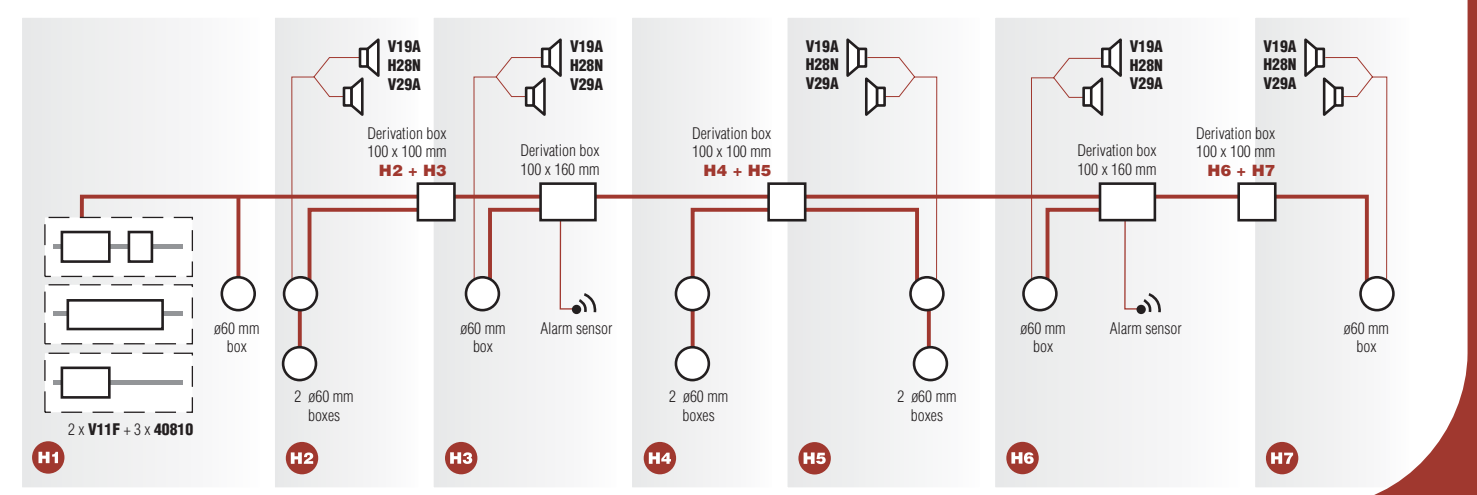


Pre-installation Guide. Diagrams and elements.

• Pre-installation example for a standard type house (audio + domotics)



pre-installation



SAFETY INSTRUCTIONS

- **Warning:** All modules connected to mains are "Class I" therefore it is very important to earth the appliance for system safety.
- Protect the circuit before connecting the power supply unit with a residual current device with a sensitivity of 0.03A.
- Use only original components when repairing or maintaining the system.
- Remove all protections (plastic and cardboard) prior to installation.
- Do not modify any component unless previously authorized by EGI.
- Do not cover holes or ventilation gaps.
- Do not expose devices to direct flame.
- Do not drop water on the device. Avoid water drops or rain exposure.
- Disconnect from mains before repairing or modifying the installation.
- Do not expose the device to direct sunlight.
- Do not force the mobile parts of the units.
- Not serviceable parts inside. Please refer to qualified technicians for repairing.
- Use only EGI accessories.
- EGI can not be held responsible for misuse or not described use of the products (please, refer to "Warranty").

GENERAL NOTE: All modules in the series include colour coded plug-in terminal blocks (international codification) to connect easily any module to the general line (also colour coded), just matching number and colour of any plug-in terminal block in the module to the matching one in the general line (cable Egi ref. 40180 / 40181).

For more information and wiring examples, please refer to "DOMOS2 Installer's Manual" or visit: www.egiaudio.com.

Power supplies (for DIN rail mounting)

Audio power stages (for DIN rail mounting)

Loudspeakers (the lowest impedance for loudspeakers connected directly to the control units is 16 Ω)



| specifications | 40710 | 40720 | 40730 | 40425 | 40430 | G13U/16 | G28N/16 | G14A/16 | G17F/16 • G18F/16 | O606.xx |
|--------------------------------------|------------------|------------------|------------------|-----------------------------------|------------------------------------|--------------|------------------------|------------------------------|-------------------------------|---------------------------|
| Features | --- | --- | --- | --- | --- | 2" in wall | 2" ceiling | 5" ceiling wide band | 5" ceiling | Rock speaker for outdoors |
| No conductors | --- | --- | --- | --- | --- | 2 | 2 | 2 | 2 | 2 |
| Max. power / Power | 15 W • 1.1 A | 25 W • 1.7 A | 40 W • 2.7 A | 15 + 15 W (stereo) or 30 W (mono) | 50 + 50 W (stereo) or 100 W (mono) | 2 W | 2 W | 6 W | 6 W (G17F/16) • 2 W (G18F/16) | 40 W |
| Power supply | 230 V- ±10% | 100 - 240 V- | 100 - 240 V- | 100 - 240 V- | 100 - 240 V- | --- | --- | --- | --- | --- |
| Housing | 6 DIN rail units | 6 DIN rail units | 6 DIN rail units | 9 DIN rail units | 16 DIN rail units | ø60 mm. | ø75 mm. (cut diameter) | --- | --- | --- |
| Flush-mounting box / Dimensions (mm) | 105 x 85.5 x 65 | 105 x 85.5 x 65 | 105 x 85.5 x 65 | 157.5 x 85.5 x 65 | 280 x 85.5 x 65 | 45 x 45 x 49 | ø90 x 55 | V19A, H28N, V29A / ø148 x 66 | Wall / 141 x 295 x 53 | --- |

Central units (for DIN rail mounting)

Central units (for ø60 mm. box)



| specifications | 40010 | 40020 | 40040 | 40050 | 40060 | 40070 | 40080 | 40090 | 40200 |
|----------------------------------|----------------------------|-----------------------------|-----------------------------|----------------------------|-----------------------------|----------------------------|----------------------------|----------------------------|----------------------------|
| Features | 1 audio program + IR | 1 audio program/FM + IR | 2 audio programs/FM + IR | 3 audio programs + IR | 3 audio programs/FM + IR | 1 audio program + IR | 1 FM program | Clock + intercom. | USB input for MP3 |
| Power supply / Consumption (max) | 15 V _{DC} / 60 mA | 15 V _{DC} / 100 mA | 15 V _{DC} / 110 mA | 15 V _{DC} / 70 mA | 15 V _{DC} / 150 mA | 15 V _{DC} / 45 mA | 15 V _{DC} / 80 mA | 15 V _{DC} / 45 mA | 15 V _{DC} / 70 mA |
| Housing | 6 DIN rail units | 6 DIN rail units | 6 DIN rail units | 6 DIN rail units | 6 DIN rail units | ø60 mm. | ø60 mm. | ø60 mm. | ø60 mm. |
| Dimensions (mm) | 105 x 85.5 x 65 | 105 x 85.5 x 65 | 105 x 85.5 x 65 | 105 x 85.5 x 65 | 105 x 85.5 x 65 | 45 x 45 x 52 | 45 x 45 x 52 | 45 x 45 x 52 | 45 x 45 x 52 |

Control units (for ø60 mm. box)

Remote controls

Interface modules (for DIN rail mounting)



| specifications | 40220 | 40221 | 40271 | 40281 | 40300 | 40100 | 40130 | 40410 | 40420 | 40520 | 40580 |
|----------------------------------|---|--|---|--|--|---------------------------------------|------------------|-----------------------------|-----------------------------|-----------------------------|----------------------------|
| Features | LCD standard control unit 3 audio programs | LCD standard control unit 3 audio programs + local FM | Domotic LCD control unit 3 audio programs + IR + configurable menu | Domotic LCD control unit 3 audio programs + RDS local FM + IR + configurable menu | Touch domotic LCD control unit 3 audio programs + RDS local FM + IR | LCD audio + domotics (backlighted) | Audio + domotics | Door phone | ADS Door phone | GSM domotic communication | For EIB/KNX BUS |
| No conductors | 10 | 10 | 10 | 10 | 10 | --- | --- | 4 | 4 | 4 | 3 |
| Power supply / Consumption (max) | 15 V _{DC} / 195 mA | 15 V _{DC} / 215 mA | 15 V _{DC} / 230 mA | 15 V _{DC} / 235 mA | 15 V _{DC} / 240 mA | 3 x 1.5 V AAA | 2 x 1.5 V AAA | 15 V _{DC} / 100 mA | 15 V _{DC} / 100 mA | 15 V _{DC} / 250 mA | 15 V _{DC} / 30 mA |
| Housing | ø60 mm. | ø60 mm. | ø60 mm. | ø60 mm. | ø60 mm. | --- | --- | 3 DIN rail units | 3 DIN rail units | 12 DIN rail units | 3 DIN rail units |
| Dimensions (mm) | 45 x 45 x 52 | 45 x 45 x 52 | 45 x 45 x 52 | 45 x 45 x 52 | 165 x 85 x 41 | 190.1 x 77 x 31.7 | 195 x 57 x 13.1 | 45.5 x 85.5 x 65 | 45.5 x 85.5 x 65 | 175.5 x 85.5 x 65 | 45.5 x 85.5 x 65 |

Auxiliary modules (for ø60 mm. box / for DIN rail mounting)

Other modules

Front trims (for DIN rail mounting)

Front trims (for ø60 mm. box)



| specifications | 40140 | 40610 | 40510 | 40540 | 40640 | 40650 | 40660 | 40630 | 40810 | 40820 | 07001 | 07002 | 07003 | 1801/xx | 1802/xx |
|----------------------------------|------------------------------------|----------------------------|---|-----------------------------|--|--|--|---------------------------------------|------------------------------------|--|---------------------|---------------------|---------------------|--------------------|---------------------|
| Features | Audio input + headphones output | Alarm sensor and activator | Domotic central unit + PC connection | 4-Relay DOMOTIC module | 4-Relay expansion module for Egi ref. 40540 | 4 relay DOMOTIC module (extra-flat) | 4 relay DOMOTIC expansion module (extra-flat) | Alarm inputs repeater (extra-flat) | For central unit + power supply | For central unit + power supply + other modules | 1-gang front trim | 1-gang front trim | 2-gang front trim | 1-gang front trim | 2-gang front trim |
| Power supply / Consumption (max) | 15 V _{DC} / 20 mA | 15 V _{DC} / 60 mA | 15 V _{DC} / 100 mA | 15 V _{DC} / 150 mA | 15 V _{DC} / 120 mA | 15 V _{DC} / 150 mA | 15 V _{DC} / 120 mA | 15 V _{DC} / 30 mA | --- | --- | --- | --- | --- | --- | --- |
| Housing | ø60 mm. | ø60 mm. | 6 DIN rail units | 6 DIN rail units | 6 DIN rail units | --- | --- | --- | 12 DIN rail units | 24 DIN rail units | ø60 mm. | ø60 mm. | ø60 mm. | ø60 mm. | ø60 mm. |
| Dimensions (mm) | 45 x 45 x 52 | 45 x 45 x 52 | 105 x 85.5 x 65 | 105 x 85.5 x 65 | 105 x 85.5 x 65 | 85 x 45 x 33 | 85 x 45 x 33 | 55 x 110 x 35 | 280 x 155 x 40 | 545 x 155 x 40 | 84 x 104 x 13.5 mm. | 84 x 150 x 13.5 mm. | 84 x 150 x 13.5 mm. | 88 x 90 x 13.5 mm. | 88 x 161 x 13.5 mm. |

Cables (we advise using EGI coded cable)

Plug-in terminal block Connections

Flush-mounting boxes



| specifications | 40180 | 40181 | 40182 | 40183 | 40750 | 40760 | 40170 | 40110 | 0501 | 0502 | 0503 | V11F | V29A |
|---------------------------------------|----------------------------|--|----------------------------|--|---|---|---|------------------|---|---|---|--|-------------------------------------|
| Features | 10-conductor twisted cable | 10-conductor twisted cable with cover | 10-conductor twisted cable | 10-conductor twisted cable with cover | 2-conductor parallel cable for loudspeaker | 3-conductor parallel cable for loudspeaker | Plug-in terminal block for derivations | IR emitter cable | 3.5 mm stereo jack to 2 stereo RCA (1.5 m) | 2 RCA elbowed stereo male to 2 RCA stereo male (1.5 m) | 3.5 mm stereo jack to 3.5 mm stereo jack (2 m) | For central units, power supplies and loudspeakers ref. G17F/xx | For 5" loudspeakers ref. G14A/xx |
| Isolation | 450 / 750 V | 450 / 750 V | 300 / 500 V | 300 / 500 V | 300 / 500 V | 300 / 500 V | --- | --- | --- | --- | --- | --- | --- |
| Packaging / Housing / Dimensions (mm) | 100 m. roll | 100 m. roll | 100 m. roll | 100 m. roll | 100 m. roll | 100 m. roll | 1 unit box | 1 unit | 1 unit | 1 unit | 1 unit | 130 x 266 x 45 mm. | ø174 x 84 mm. |

⚡ The colors on EGI cables ref. 40180, 40181, 40182 and 40183 are coded for all the installation. Each conductor has the appropriate section for its purpose. It is not advisable to use a non EGI cable, since its use may cause malfunction and problems not covered by the warranty of the product.

⚡ Coming soon.